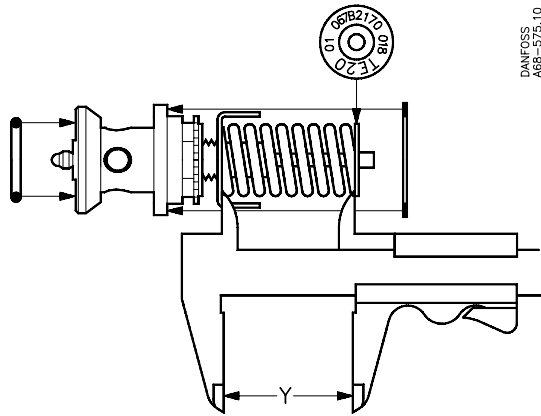


067R9502

067R9502



Orifice no.	Orifice code no.	Y = ±1 mm							
		R 12 Range		R 22 Range		R 134a Range	R 404A Range		R 502 Range
		N	N	B	N	N	B	N	B
01	067B2170	34			32				
02	067B2172		33.5	36					
03	067B2175					35	35	33	33